

Utilization:

To manipulate with loads inside and outside manufacturing and storage halls by a crane hoist with motorized or plain push trolley.

Technical description of the basic version:

The rotating I-shaped beam is fixed to the ball bearings shaft that is attached to a swing bed which balances the axis of the arm to prevent it from spontaneous and unwanted rotation. The adjustable hardstops on the shaft flange are used to prevent the beam to spin 360° around or to set the specific workspace. The column of the manipulator is provided with three standard heights - 2100mm, 2600mm, 3100 mm. The beam standard lengths are - 2000mm, 2500mm, 3000 mm. On special requests also other sizes of the column or the beam can be made. The rotating beam can be mounted on a columns, walls or overhead fixed.

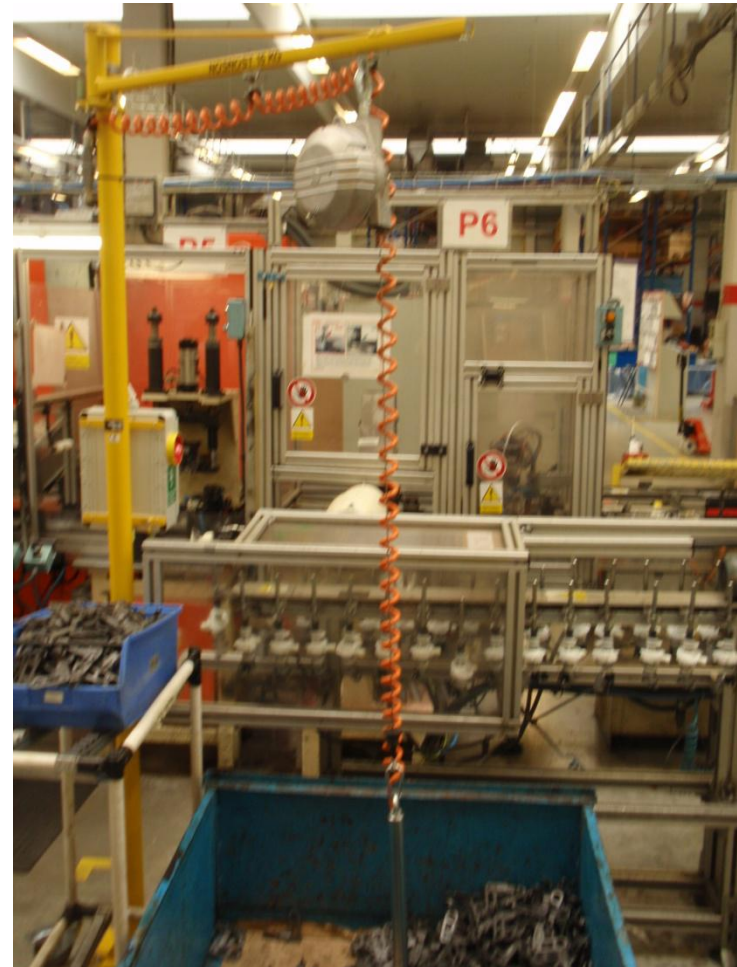
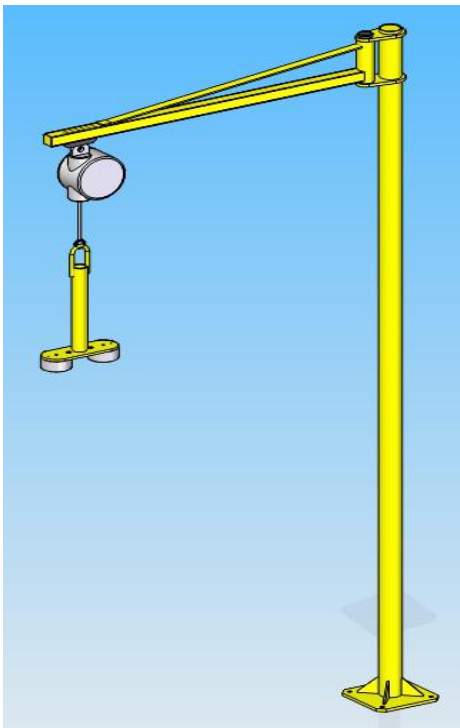
Basic technical specification:

Load capacity: 125 kg – 950 kg
Reach of the beam: 2000 mm, 2500 mm, 3000 mm
Weight of the manipulator: 150 – 350 kg (by version)
Label: 1RM-(load capacity)-(reach)-(equipment)
Example: 1RM-125-2500-E(R)P (Elektro, (Manual), Pneu)

Optional equipment:

- E** - Electrical installation 400 V with power switch and cabling
 - Hoist **GIS** or **Demag**, both with dual lifting speed and motorized or plain push trolley
- R** - Without electrical installation, e.g. chain handling of the hoist
- P** - Pneumatic components with closing valve and the filter of the compressed air.

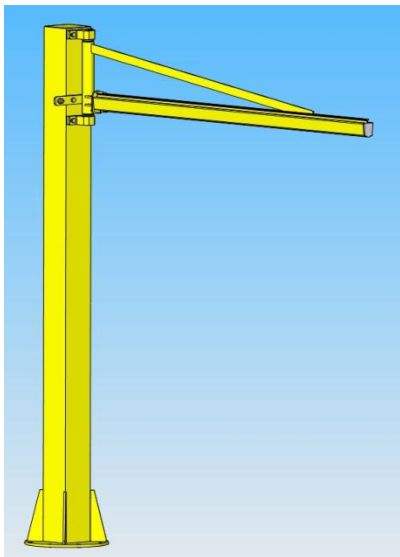
Jib crane manipulator 1RM 15 E
with the balancer and the load magnet



Realization:
DURA Automotive Systems CZ, Kopřivnice

2012

1 ks



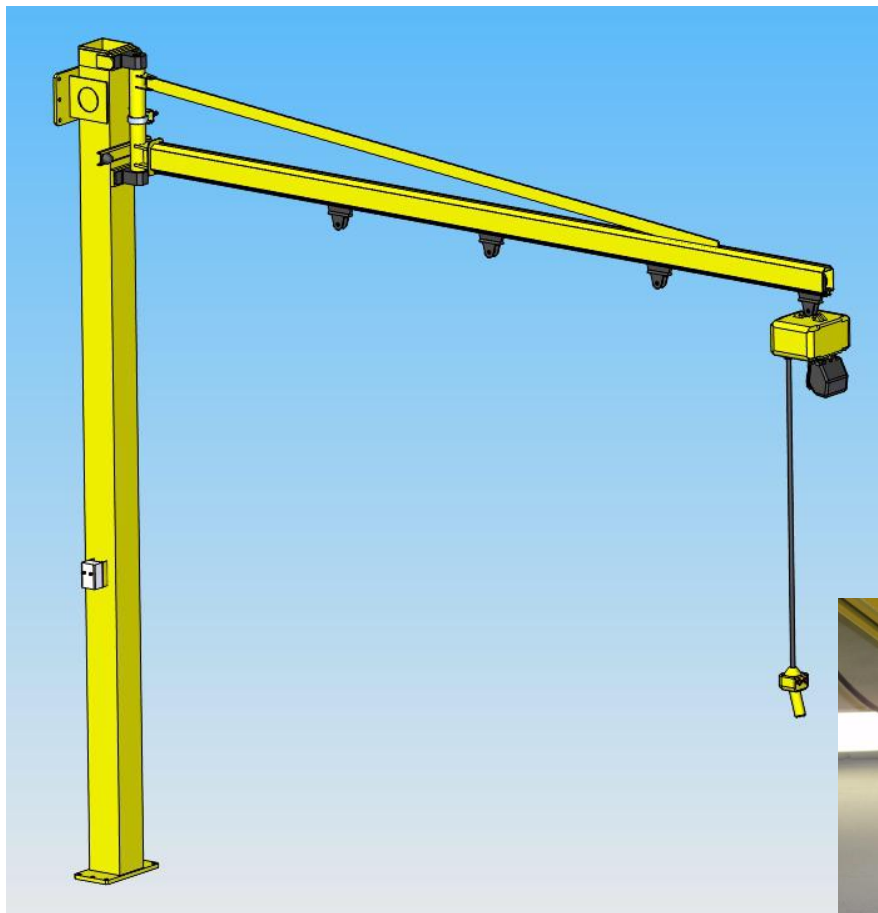
Realization:

REMAK a.s., Rožnov pod Radhoštěm

2010

1 ks

Jib crane manipulator 1RM 200 E
with electric hoist GIS GCH 250/1NF

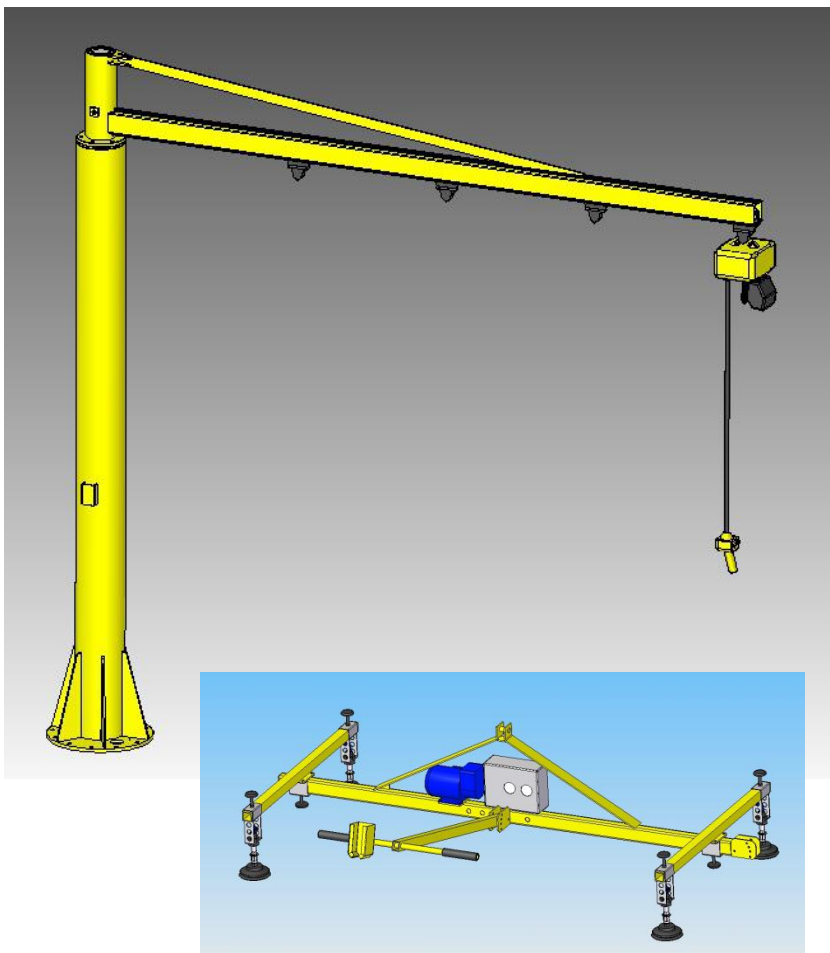


Realization:

RTD Quality services s.r.o. pro PILSEN STEEL, Plzeň 2015

1 ks

Jib crane manipulator 1RM 200 E with the electric hoist and the frame with suction heads VZR 125 E

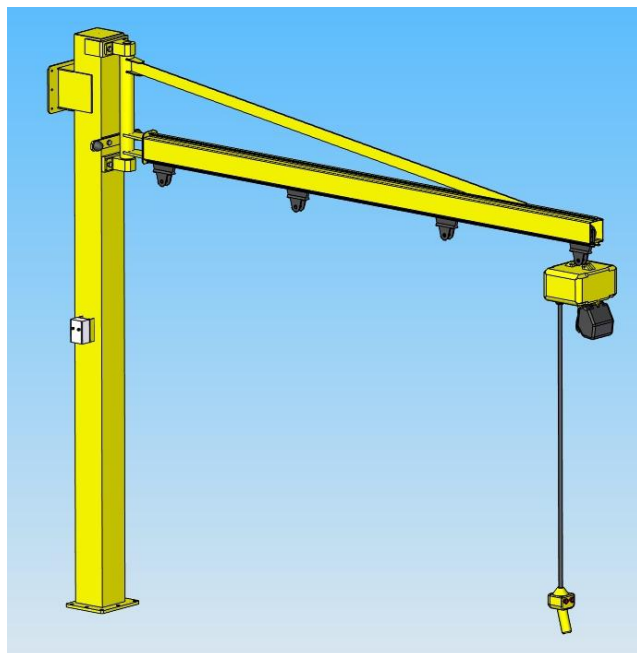


Realization:
VIRTUAL, s.r.o., Zubří

2013

1 ks

Jib crane manipulator 1RM 200 E /3250
with the electric hoist with the trolley



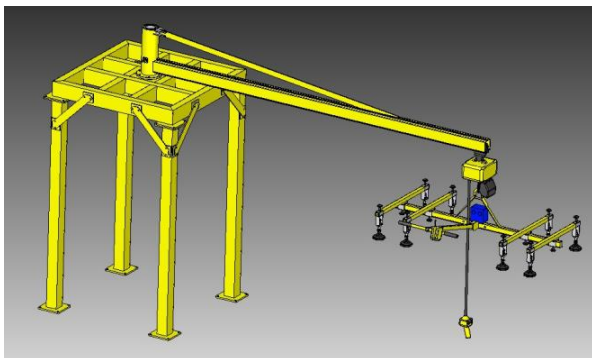
Realization:

REMAK a.s., Rožnov pod Radhoštěm

2010

1 ks

**Jib crane manipulator 1RM 250 E with the electric hoist
and the frame with suction heads VZR 200 P**



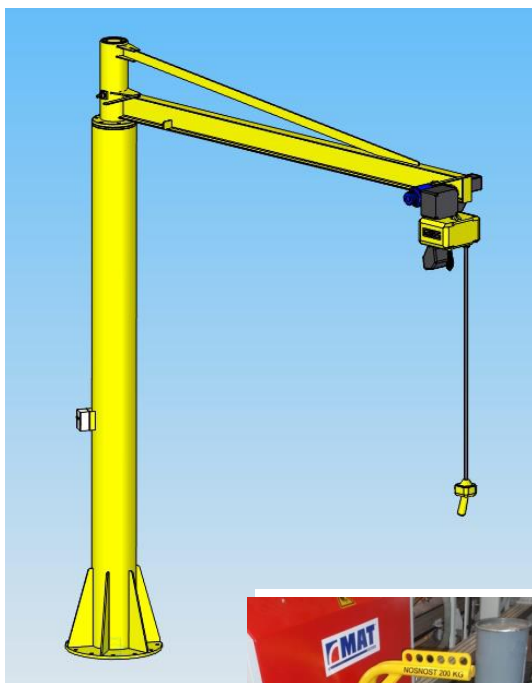
Realization:

UNIS COOL s.r.o., Staré Město u Frýdku-Místku

2013

1 ks

Jib crane manipulator 1RM 250 E
with the electric hoist and the hanging C-hook

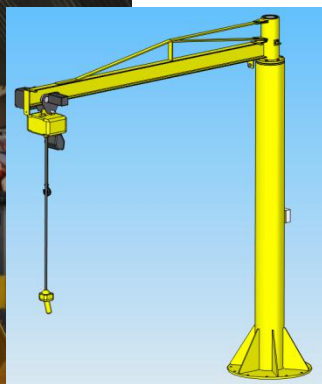


Realization:
MATEICIUC, Odry

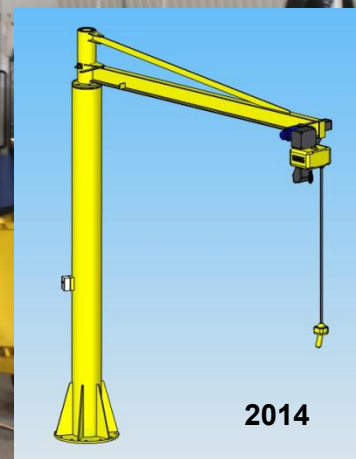
2014

1 ks

Jib crane manipulator 1RM 250 E
with the electric hoist with the trolley



2012



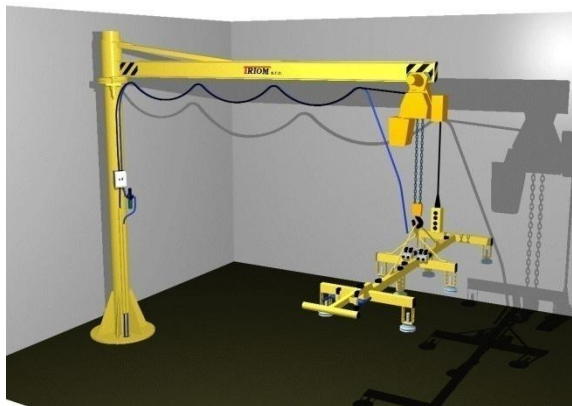
2014

Realization:
LASKI spol. s.r.o., Smržice

2012, 2014

1 + 1 ks

Jib crane manipulator 1RM 300 EP /3000
with the electric hoist and the frame with suction heads VZR
300/2000

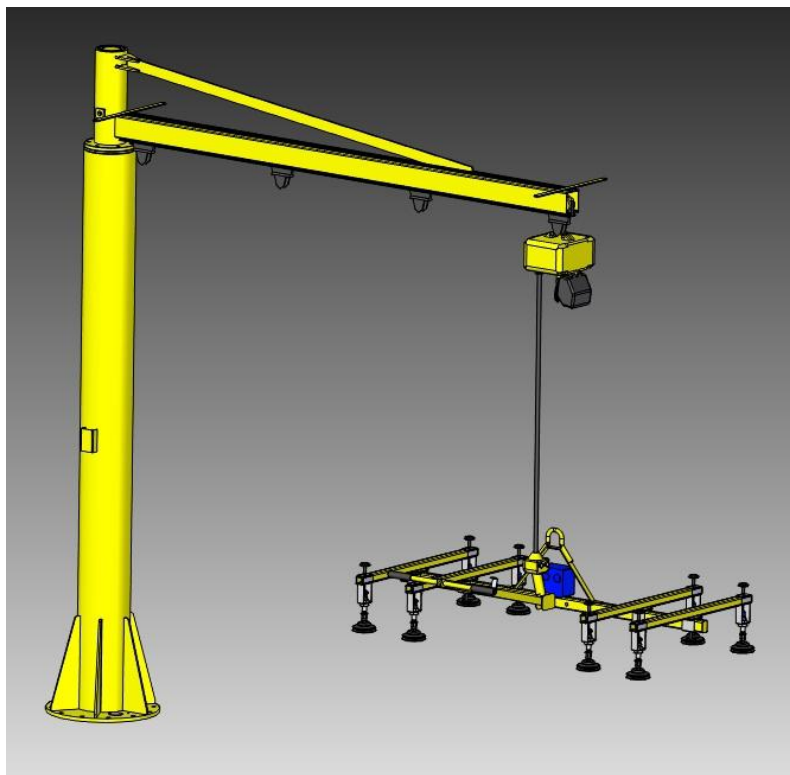


Realization:
Fa ELMECH a.s. Kolín

2003

1 ks

Jib crane manipulator 1RM 350 EP
with the frame with suction heads VZR 300 P

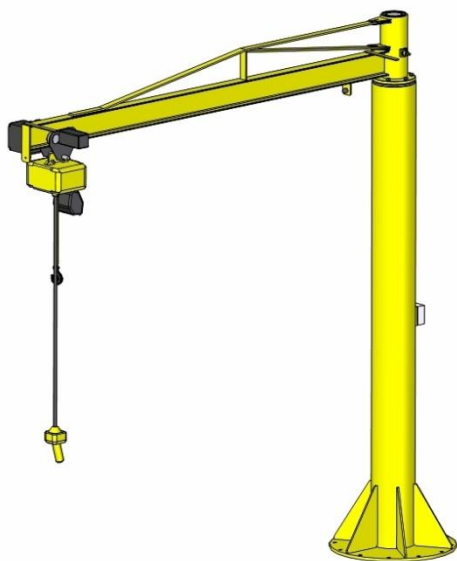


Realization:
ELMTRADE SE, Kolín

2015

1 ks

Jib crane manipulator 1RM 350 E /3000
with the electric hoist with the trolley



Realization:
Laski spol. s r.o., Smržice

2010

1 ks

Jib crane manipulator 1RM 400 EP with the electric hoist
and the frame with suction pads VZR 300 P



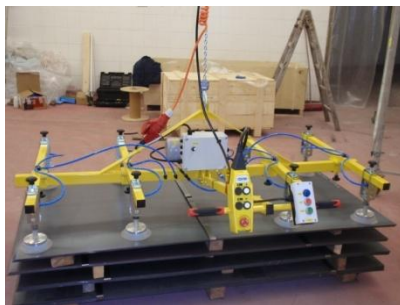
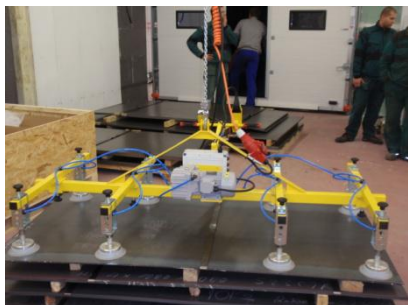
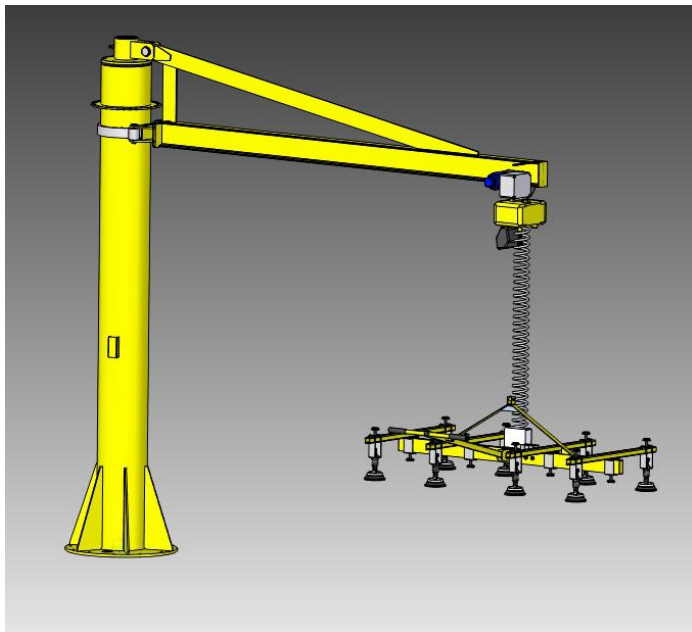
Realization:

UNIS COOL s.r.o., Staré Město u Frýdku-Místku

2014

1 ks

Jib crane manipulator 1RM 500 E with electric hoist and the frame with suction pads and vacuum pump VZR 400 E

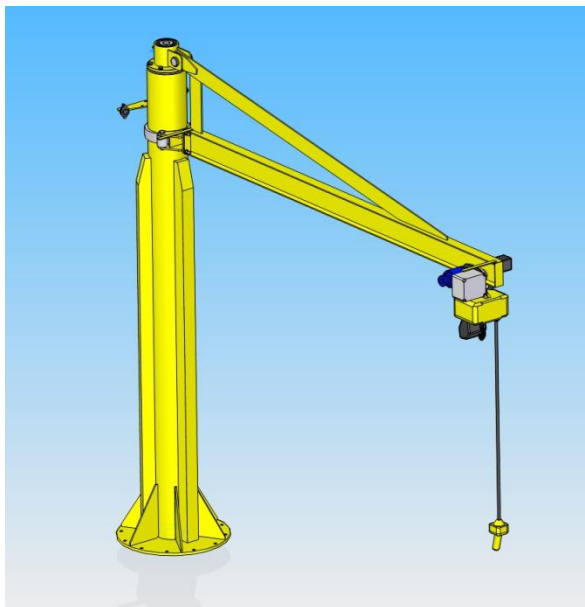


Realization:
HAST RETAIL s.r.o., Ostrava Svinov

2015

1 ks

Jib crane manipulator 1RM 500 E /3250
with the electric hoist with the trolley

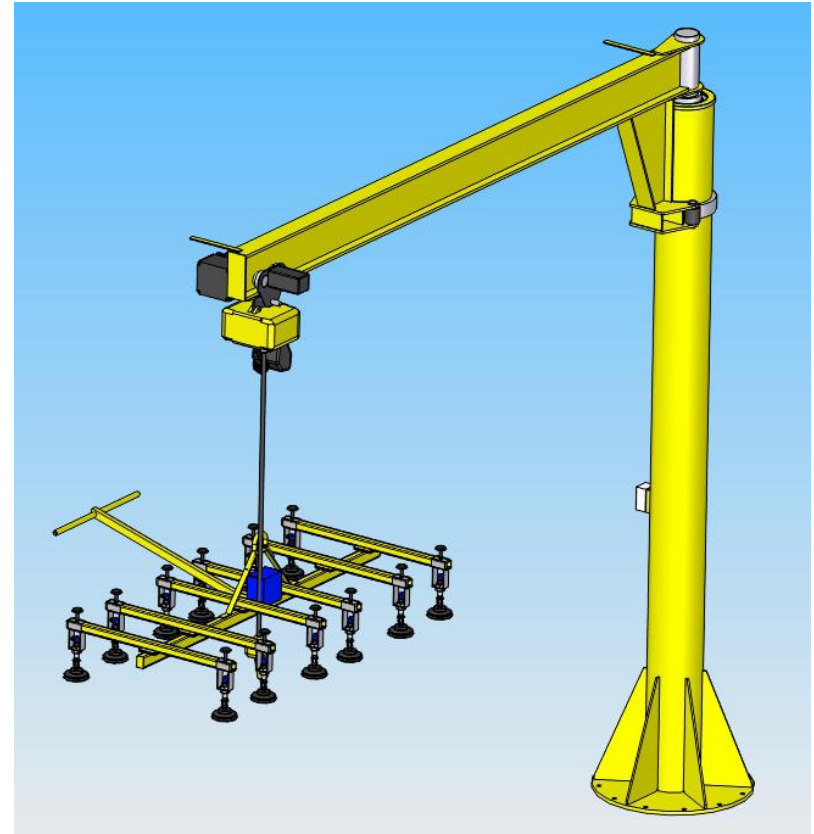
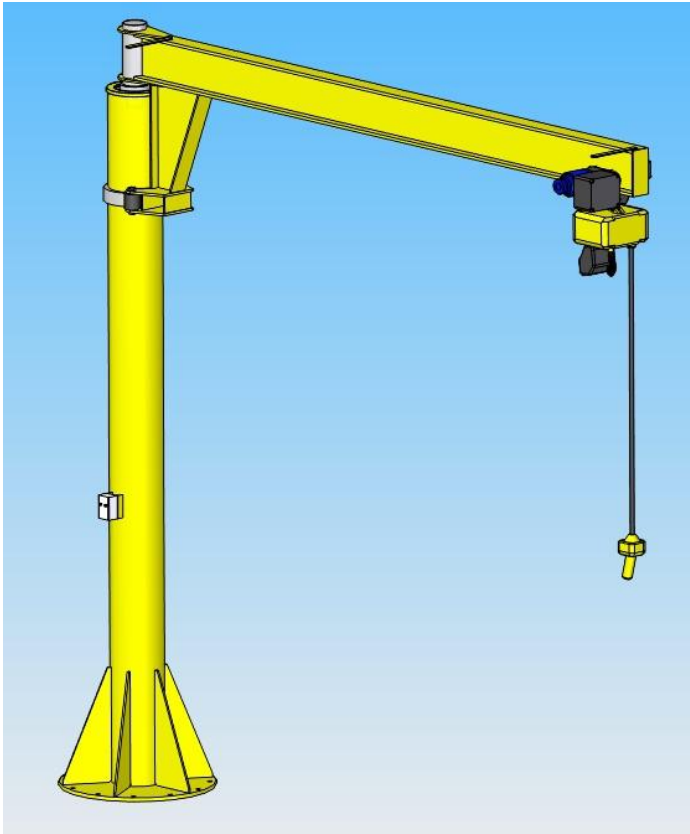


Realization:
KARLA spol. s.r.o., Bruntál

2010, 2012

1 + 1 ks

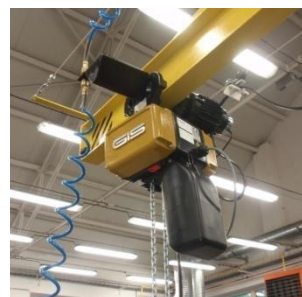
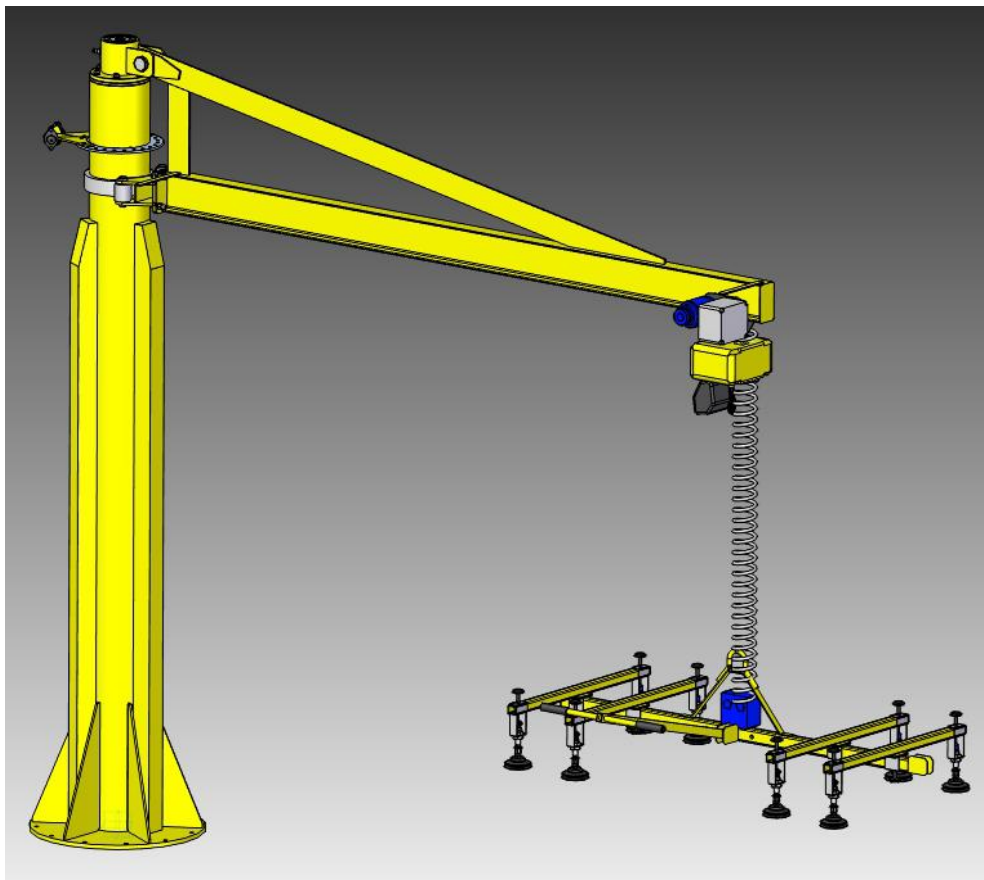
Jib crane manipulator 1RM 500 E /3500
with the electric hoist GIS with the trolley and
the frame with suction pads



Realization:

Concept for a price offer

Jib crane manipulator 1RM 550 E /3800
with the electric hoist with the trolley
and the frame with vacuum suction pads VZR450 P



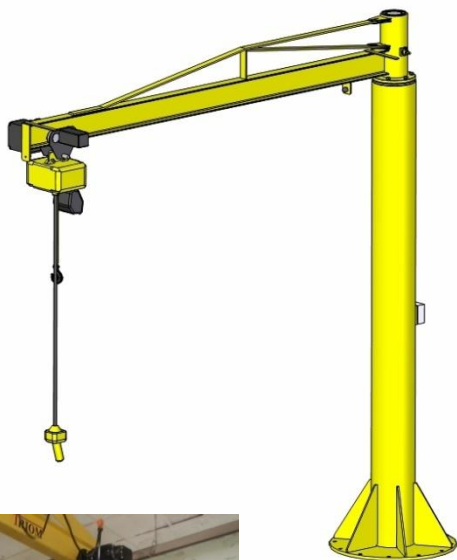
Realization:

ABNER a.s., Moravská Třebová

2014

1 ks

Jib crane manipulator 1RM 650 E /3500
with the electric hoist with the trolley



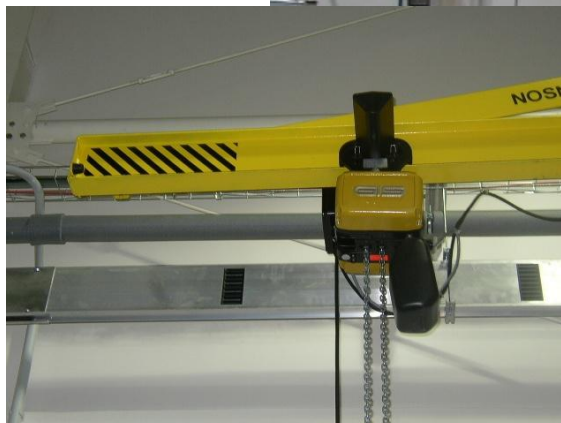
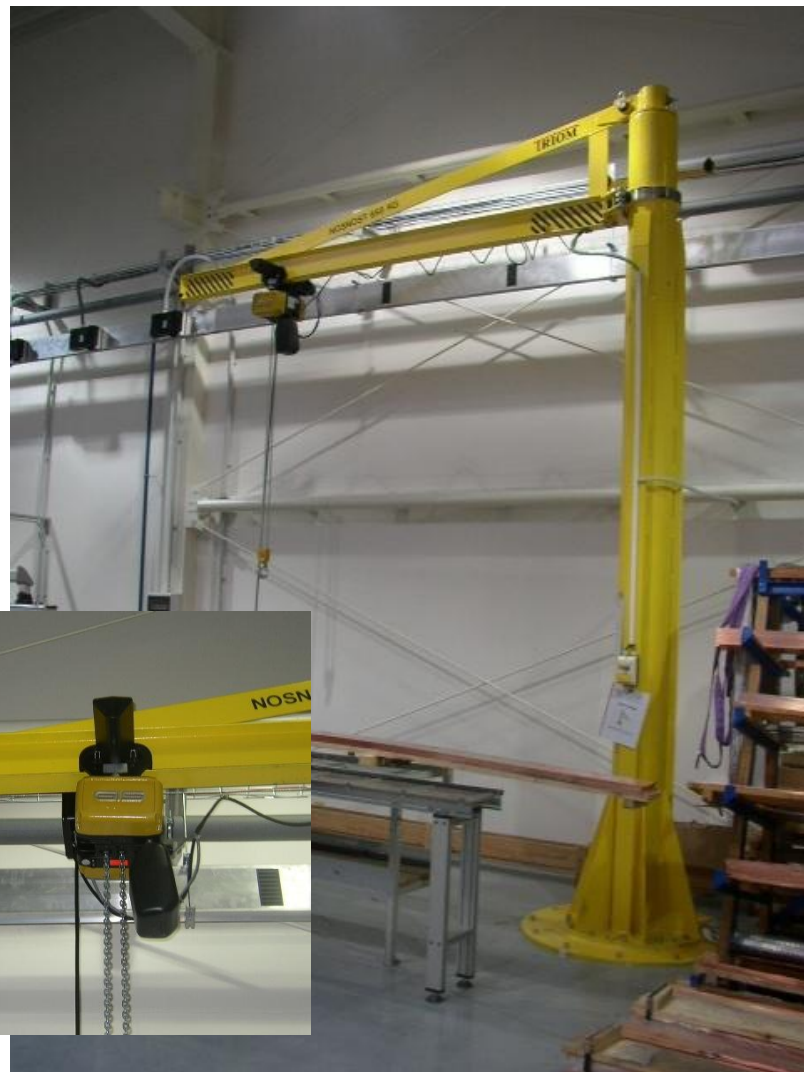
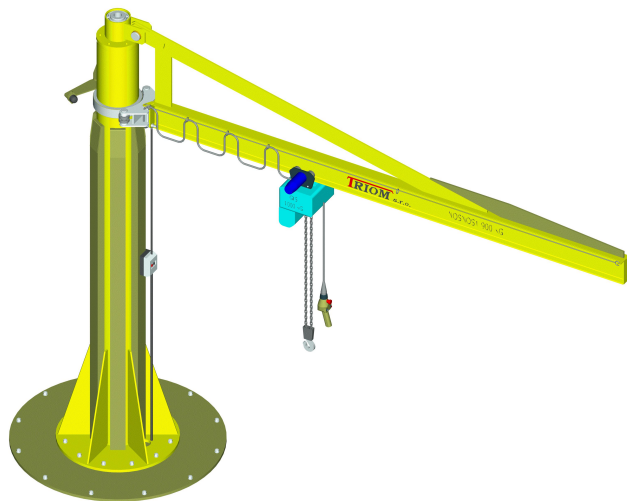
Realization:
TAJMAC Zlín pro KARLA (Opava)

2010

1 ks

TRIOM s.r.o.

Jib crane manipulator 1RM 650 E /4000
with the electric hoist with the trolley

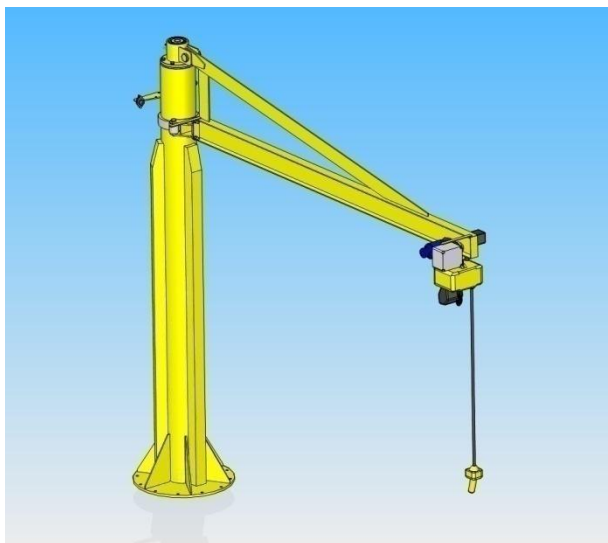


Realization:
ABB, s.r.o., Brno

2008

1 ks

Jib crane manipulator 1RM 700 E /3500
with the electric hoist with the trolley



Realization:

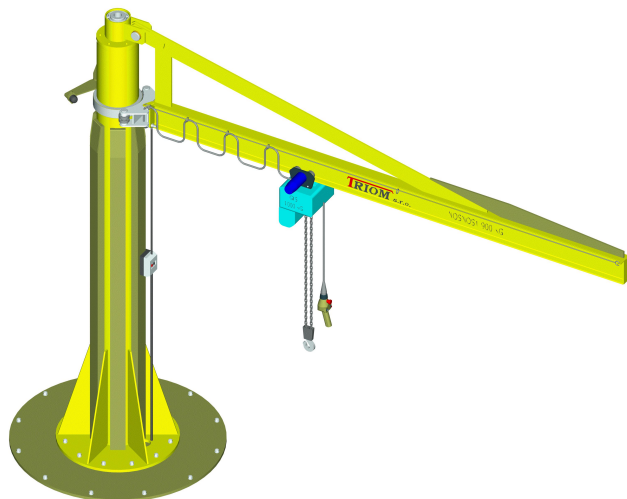
KLEMAT CZ, s.r.o. Valašské Meziříčí

2013

1 ks

TRIOM s.r.o.

Jib crane manipulator 1RM 950 E /4000 with the electric hoist with the trolley and the frame with suction pads VZR 750



Realization:
Matušík Josef, Prostřední Bečva

2008

1 ks